



LS-5 Series V2

**LS-512/522
2breaker**

Multi-Breaker Control for complex power management applications

DESCRIPTION

Woodward's LS-5 Series are synchronizer controllers with integrated mains decoupling and protection features. The applications range from independent synch check relay to complex power management relay with multiple utility feeds, bus tie breakers and group breakers in combination with Woodward's easYgen-3400XT/3500XT equipped genset controllers. Wiring efforts are reduced to a minimum, since only one CAN bus connection is required between all LS-5 and easYgen controllers to transmit AC measurement signals, I/O states, flags etc.

The LS-5x2 relays simplify the applications where load bus is served by a mains circuit breaker (MCB) and a generator group breaker (GGB). It senses voltage and current, quantifies the synchronization parameters and transmits the signals via CAN bus to the easYgen-3400XT/3500XT genset controllers. The two breakers control capability along with mains decoupling and protection features make it a perfect choice for transfer switch control under guidance of an external supervisory control. The LS-5x2 is software selectable to be applied as an LS-5x1 thereby facilitating hardware standardization to OEM switchgear builders, generator packagers, and system integrators.

The LS-5x2 Series is available in two different mounting styles. An LS-522 with a plastic housing and graphic LCD display is designed to be mounted on the cabinet's front door. An LS-512 with an aluminum powder coated housing without display is designed to be back panel mounted.

FEATURES

- Up to 16 LS-5x2 relays can be operated in one network with up to 32 easYgen-3400XT/3500XT
 - Remotely selectable breaker transition modes: Open, Closed (short parallel <100ms), Interchange, Indefinite parallel
 - Software selectable to function as one breaker control
 - Internal power calculation with option to feed active power from external transducer
 - Phase match or slip frequency synchronization with voltage matching
 - Full protection package (including df/dt (ROCOF), phase shift, and mains voltage increasing protection according to new German grid code)
 - Segment control for the load sharing
 - Event Log with up to 300 entries
 - Automatic date and time synchronization between the LS-5 units and the connected easYgen-3400XT/3500XT controls
 - LS-5 "Stand alone" mode without the easYgen-3400XT/3500XT is possible
 - Preconfigured application modes that simplify the configuration process for complex multi-breaker applications
 - AUTOMATIC and MANUAL mode
 - Full remote control via CAN or RS-485 interface
 - Breaker open/close failure detection
 - Mains decoupling "Test" mode
 - Lock keypad feature
 - 4 freely configurable alarms
 - 8 Freely configurable LED's on the LS-512 back panel mountable device
 - Multilingual capability: English, German, Spanish, French, Italian, Portuguese, Japanese, Chinese, Russian, Turkish, Polish
- Designed as a compact solution for complex power management applications
 - Control up to 32 breakers on up to 32 bus segments in an application
 - Purpose built application modes
 - Synch check and mains decoupling in one compact controller
 - Utility import/export control
 - Accepts utility approved power measurement for loading/unloading
 - Automatic and Manual mode
 - LS-5 "Stand alone" mode for use without easYgen-3400XT/3500XT System
 - LogicsManager functionality for application customization
 - Adjustable vector groups for synchronization
 - CAN and RS-485 interfaces for remote control and visualization
 - True RMS sensing
 - Available as cabinet front door mounted or DIN-Rail back panel mounted rugged metal housing
 - Freely configurable relay outputs
 - Freely configurable discrete inputs
 - RoHS2, BDEW and VDE AR-N 4105 compliant

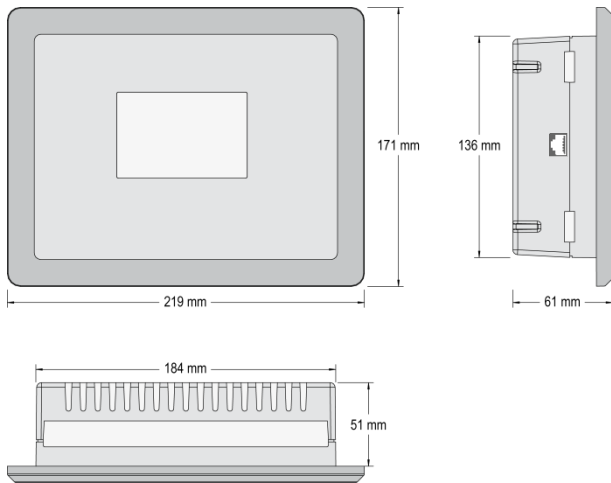
SPECIFICATIONS

Power supply..... 12/24 Vdc (8 to 40 Vdc)
 Intrinsic consumption max.~ 5 W (LS-511)
 max.~ 6 W (LS-521)
 Ambient temperature (operation) -20 to 70 °C / -4 to 158 °F
 Ambient temperature (storage) -30 to 80 °C / -22 to 176 °F
 Ambient humidity..... 95 %, non-condensing
Voltage (Δ / Δ)
 120 Vac [1] Rated (V_{rated})..... 69/120 Vac
 Max. value (V_{max})..... 86/150 Vac
 Rated voltage phase – ground 150 Vac
 Surge volt. (V_{surge})..... 2.5 kV
 and 480 Vac [4] Rated (V_{rated})..... 277/480 Vac
 Max. value (V_{max})..... 346/600 Vac
 Rated voltage phase – ground 300 Vac
 Surge volt. (V_{surge})..... 4.0 kV
 Accuracy Class 1
 Linear measuring range $1.25 \times V_{rated}$
 Measuring frequency..... 50/60 Hz (30 to 85 Hz)
 High Impedance Input; Resistance per path..... [1] 0.498 M Ω , [4] 2.0 M Ω
Current (Isolated) System A/B: 3/1 phase
 Rated (I_{rated}) [1] ..1 A or [5] ..1/5 A
 Linear measuring range $I_{gen} = 1.5 \times I_{rated}$
 Burden..... < 0.15 VA
 Rated short-time current (1 s) [1] $50 \times I_{rated}$, [5] $10 \times I_{rated}$
Discrete inputs isolated
 Input range 12/24 Vdc (8 to 40 Vdc)
 Input resistance..... approx. 20 kOhms

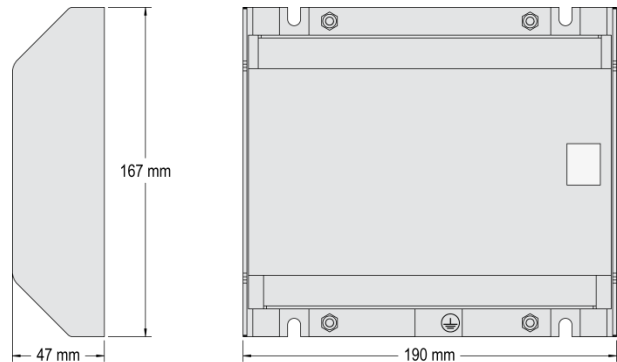
Analog input (isolated) freely scalable
 Type 4 to 20 mA
 Resolution 11 Bit
 Maximum permissible voltage between genset Ground & PE 100 V
 Internal load 50 Ω
 Accuracy Class 1
Relay outputs potential free
 Contact material..... AgCdO
 Load (GP) AC: 2.00 Aac@250 Vac
 DC: 2.00 Adc@24 Vdc / 0.36 Adc@125 Vdc / 0.18 Adc@250 Vdc
 Pilot duty (PD)..... AC: B300
 DC: 1.00 Adc@24 Vdc / 0.22 Adc@125 Vdc / 0.10 Adc@250 Vdc
Housing (LS-522) Front door mounting..... Plastic housing
 Dimensions WxHxD 219 x 171 x 61 mm
 Front cutout WxH 186 [+1.1] x 138 [+1.0] mm
 Connection..... screw/plug terminals 2.5 mm²
 Front..... insulating surface
 Sealing Front IP66 (with screw fastening)
 Front IP54 (with clamp fastening)
 Back IP20
 Weight..... approx. 850 g
Housing (LS-512) Back panel mounting..... Sheet metal housing
 Dimensions WxHxD 190 x 167 x 47 mm
 Connection..... screw/plug terminals 2.5 mm²
 Protection system IP 20
 Weight (plastic/sheet metal) approx. 850/840 g
Disturbance test (CE) tested according to applicable EN guidelines
Listings CE, UL/cUL, BDEW, VDE AR-N 4105, EAC
Marine Pending: LR, ABS

DIMENSIONS

Plastic housing for front panel mounting

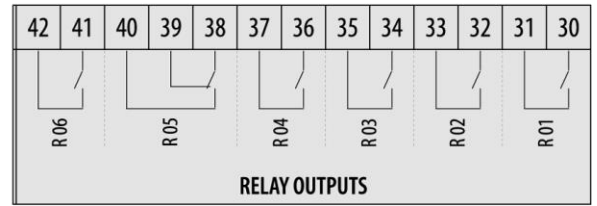


Metal housing for cabinet mounting



TERMINAL DIAGRAM

59	58	57	56	55	54	53	52	51	50	49	48	47	46	45	44	43
RS-485-A	RS-485-B	CAN-H	CAN-L	No Connection	0 Vdc	12/24 Vdc	No Connection	DI 08	DI 07	DI 06	DI 05	DI 04	DI 03	DI 02	DI 01	COMMON
RS-485		CAN		No Connection	POWER SUPPLY		No Connection	DISCRETE INPUTS								

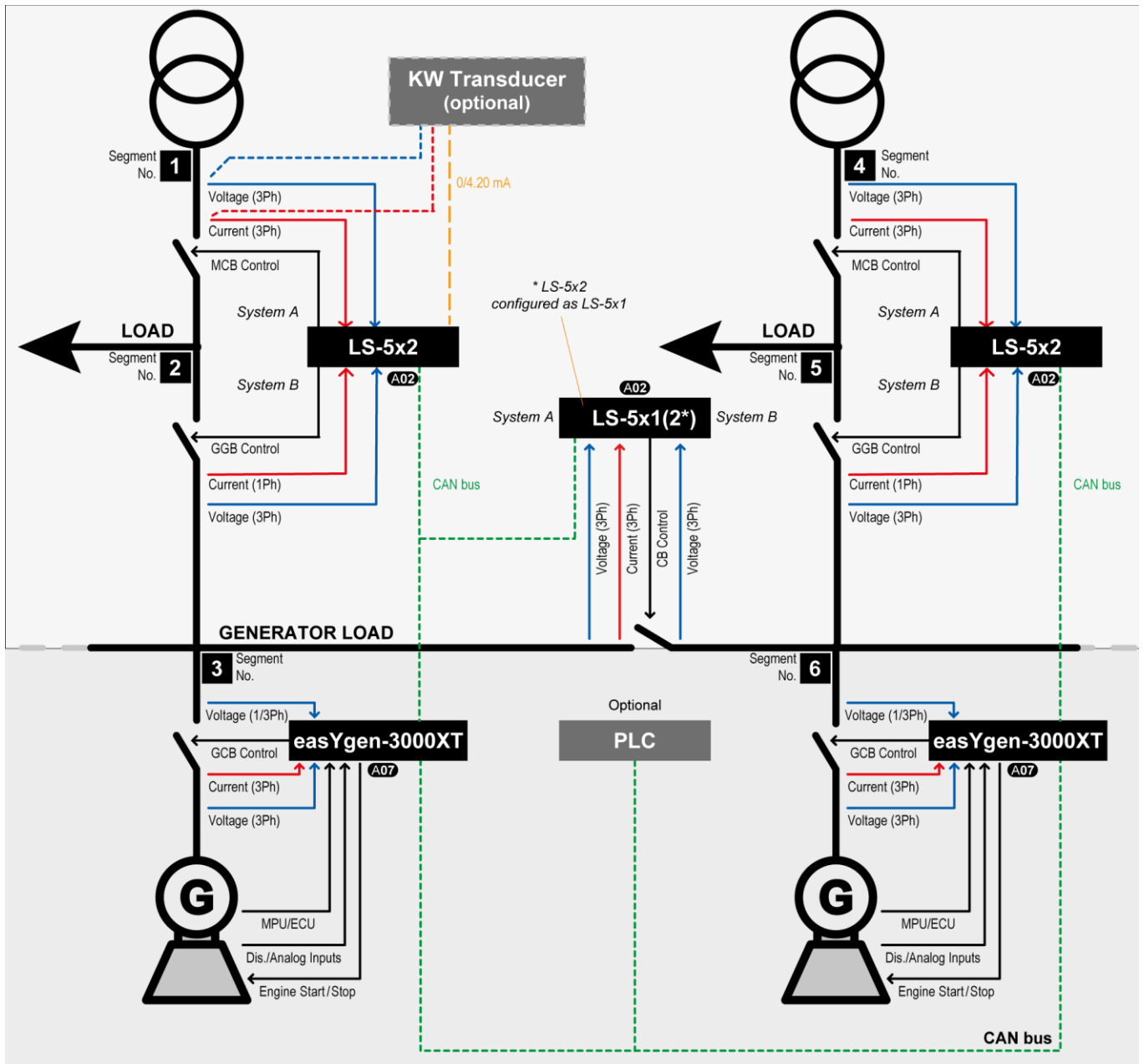


SYSTEM CURRENT			
SYSTEM A		SYSTEM B	
S ₂ L1	S ₁ •	S ₂ L2	S ₁ •
01	02	03	04
S ₂ L3	S ₁ •	S ₂ L3	S ₁ •
05	06	07	08

SEE MANUAL

ANALOG INPUT 0 to 20 mA			SYSTEM A VOLTAGE				SYSTEM B VOLTAGE				
- (GND)	+ [AI 01]	No connection	120 Vac L1	480 Vac L2	120 Vac L3	480 Vac N	120 Vac L1	480 Vac L2	120 Vac L3	480 Vac N	
10	11	12	14	15	16	17	18	19	20	21	
			22	23	24	25	26	27	28	29	

EXAMPLE APPLICATION



CONTACT

North & Central America

Tel.: +1 970 962 7331
 ✉ SalesPGD_NAandCA@woodward.com

South America

Tel.: +55 19 3708 4800
 ✉ SalesPGD_SA@woodward.com

Europe

Tel. Stuttgart: +49 711 78954 510
 Tel. Kempen: +49 2152 145 331
 ✉ SalesPGD_EMEA@woodward.com

Middle East & Africa

Tel.: +971 4 430 8744
 ✉ SalesPGD_EMEA@woodward.com

Russia

Tel.: +49 711 78954 515
 ✉ SalesPGD_RUSSIA@woodward.com

China

Tel.: +86 512 8818 5515
 ✉ SalesPGD_CHINA@woodward.com

India

Tel.: +91 124 4399 500
 ✉ SalesPGD_INDIA@woodward.com

ASEAN & Oceania

Tel.: +49 711 78954 510
 ✉ SalesPGD_ASEAN@woodward.com

www.woodward.com

Subject to alterations, errors excepted.

Subject to technical modifications.

This document is distributed for informational purposes only. It is not to be construed as creating or becoming part of any Woodward Company contractual or warranty obligation unless expressly stated in a written sales contract.

We appreciate your comments about the content of our publications. Please send comments including the document number below to stgt-doc@woodward.com

© Woodward

All Rights Reserved

For more information contact:

	LS-512	LS-522
I/Os		
Display	No	Yes
Configurable LEDs on Faceplate	Yes	No
System A/B voltage measurement	3-Phases + Neutral	3-Phases + Neutral
System A/B current measurement	3-Phase / 1-Phase	3-Phase / 1-Phase
Discrete inputs	8	8
Relay outputs	6	6
0/4-20mA Input (Optional power system A/B)	1	1
CAN Interface	1	1
RS-485 Interface	1	1
Control		
Automatic and Manual operating modes	✓	✓
Breaker synchronization (+/- slip frequency / phase matching)	✓	✓
Vector group adjustment for synchronization	✓	✓
Configurable dead bus closure direction	✓	✓
HMI		
Configuration via HMI and PC	✓	✓
Event recorder with real time clock (battery backup)	✓	✓
Date and Time Synchronization between LS-5 units and easYgen-3400XT/3500XT	✓	✓
Protection		
Over-/undervoltage (59/27)	✓	✓
Over-/underfrequency (81O/U)	✓	✓
Voltage asymmetry (47)	✓	✓
Phase shift (78)	✓	✓
df/dt (ROCOF) (81)	✓	✓
QV monitoring	✓	✓
Time-dependent voltage	✓	✓
Mains voltage increase (accord. to VDE-AR-N-4105)	✓	✓
Monitoring		
Breaker open/close monitoring	✓	✓
Synchronization time out monitoring	✓	✓
Voltage Plausibility	✓	✓
Freely configurable alarms	4	4
Counter		
Circuit breaker closure counter	✓	✓
Energy Counters	✓	✓
Listings/Approvals		
UL / cUL / EAC / CE Marked	✓	✓
Pending: LR & ABS Marine	✓	✓
Part Numbers		
LS-512 (1A / 5A)	Metal housing 8440-2181 / 8440-2153	Plastic housing with display ---
LS-522 (1A / 5A)	---	8440-2179 / 8440-2151
DIN-Rail mounting Kit for LS-511	8923-1746	---
DPC-RS-232 direct configuration cable	5417-557	
DPC-USB direct configuration cable	5417-1251	
Spare parts: Plug set containing all terminal plugs	8928-7544	8928-7545

RELATED PRODUCTS

- Single breakers control **LS-511/521** (Product Specification # 37661)
- **easYgen-3400XT/3500XT** (Product Specification # 37583)
- Automatic Transfer Switch Control **DTSC-200** (Product Specification # 37398)
- **ToolKit** (Product Specification # 03366)
- **Power Generation Learning Module** (Product Specification # 03412): P/N 8447-1012
- Profibus Gateway **ESEPRO** (Application Note # 37577): P/N 8445-1046
- Ethernet (Modbus/TCP) Gateway **ESENET** (Application Note # 37576): P/N 8445-1044
- CANbus to Fiber Optic Converters (Application Note # 37598):
DL-CAN P/N 8445-1049 and **DL-CAN-R** P/N 8445-1048
- Remote Access Gateway (with HMS **Netbiter** EasyConnect **EC250** and **EC350**)